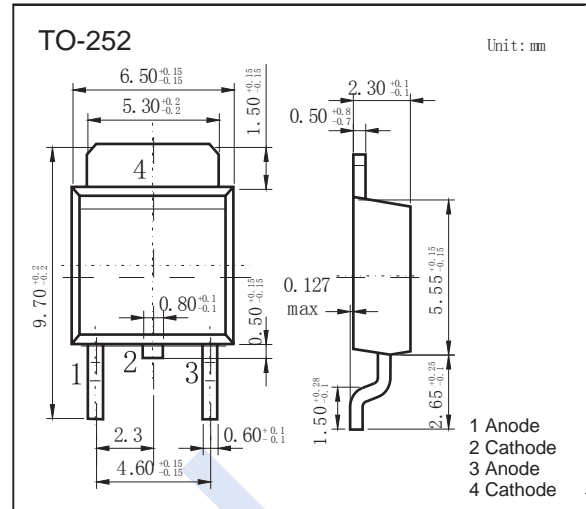
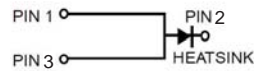


Ultra-Fast Recover Rectifiers

MURS880 (KURS880)

■ Features

- Low Reverse Leakage
- High Forward Surge Capability
- Plastic Ultra-Fast Recover Rectifiers
- $I_F=8A$
- $V_R=800V$

■ Absolute Maximum Ratings $T_a = 25^\circ C$

Parameter	Symbol	Rating	Unit
Maximum Repetitive Peak Reverse Voltage	V_{RRM}	800	V
Maximum RMS Voltage	V_{RMS}	560	
Maximum DC Blocking Voltage	V_{DC}	800	
Forward Current	I_F	8	A
Peak Forward Surge Current	I_{FM}	100	
Thermal Resistance Junction to Case	$R_{\theta JC}$	5	$^\circ C/W$
Junction Temperature	T_J	150	$^\circ C$
Storage Temperature Range	T_{stg}	-55 to +150	

■ Electrical Characteristics $T_a = 25^\circ C$

Parameter	Symbol	Test Conditions	Min	Typ	Max	Unit
Reverse Breakdown Voltage	V_R	$I_R=100 \mu A$	800			V
Maximum Forward Voltage	V_F	$I_F=8A$			1.7	
Maximum Reverse Current	I_R	$T_A=25^\circ C$			5	μA
		$T_A=125^\circ C$			250	
Reverse Recovery Time	t_{rr}	$I_F=0.5A$ $I_R=1.0A$ $I_{RR}=0.25A$			50	ns

Ultra-Fast Recover Rectifiers

MURS880 (KURS880)

■ Typical Characteristics

